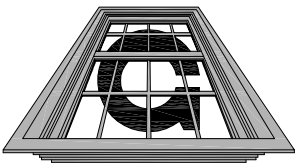


Graham

Pivot Guardian Detail - 2 1/4"



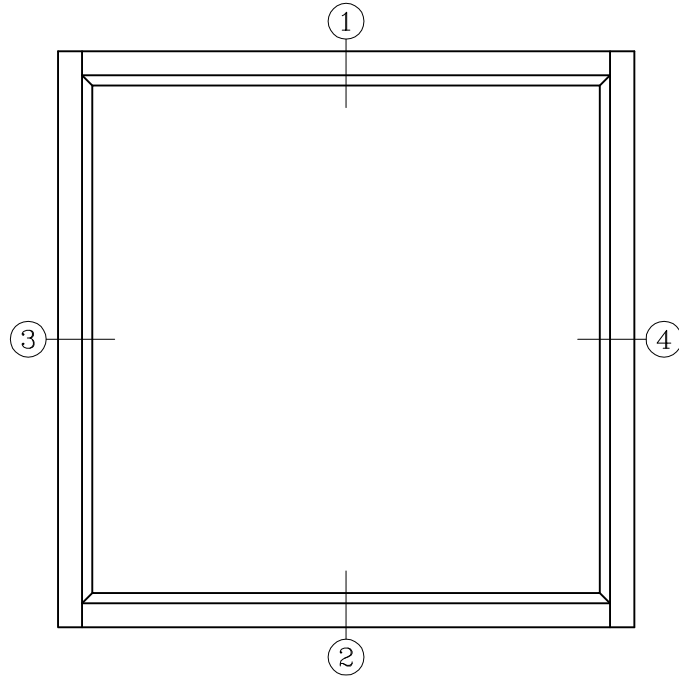
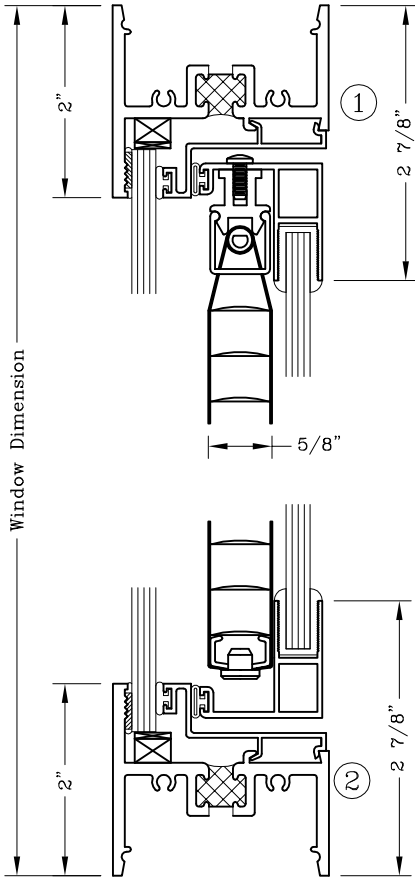
Architectural Products

Series: 6500

Manufacturing Code: 6516

Drawing 1/2 Scale - For Custom Size Drawing Contact Graham

Note: Sealant Not Shown On Details. Consult Technical Services At Factory For Sealing Procedures. Details Shown Have .125 Walled Extrusions, Glazing Option Also Valid On .062 Walled Extrusion



ELEVATION

NOTE: Glazing Option Shown On Fixed Window
Glazing Detail Is Similar For Operable Sash

Optional 5/8" Blind Shown

