

Graham

# Fixed - 2 1/4" F-AW110



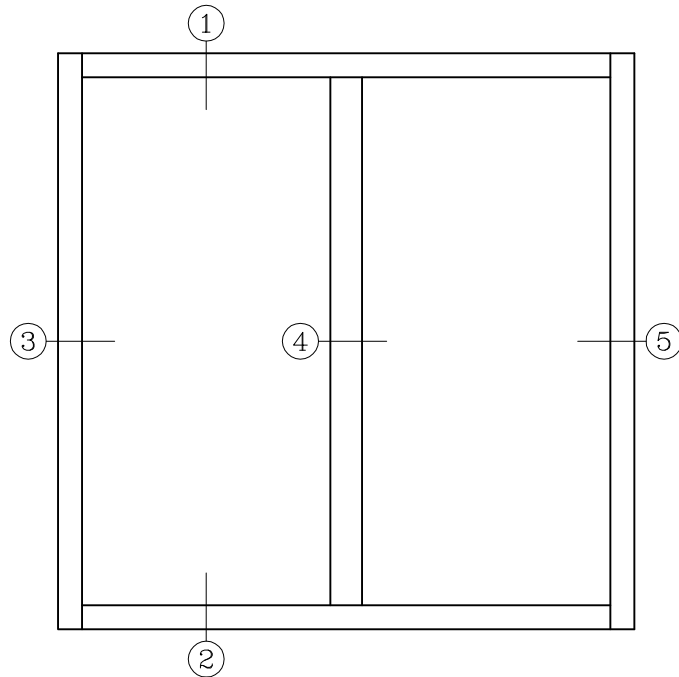
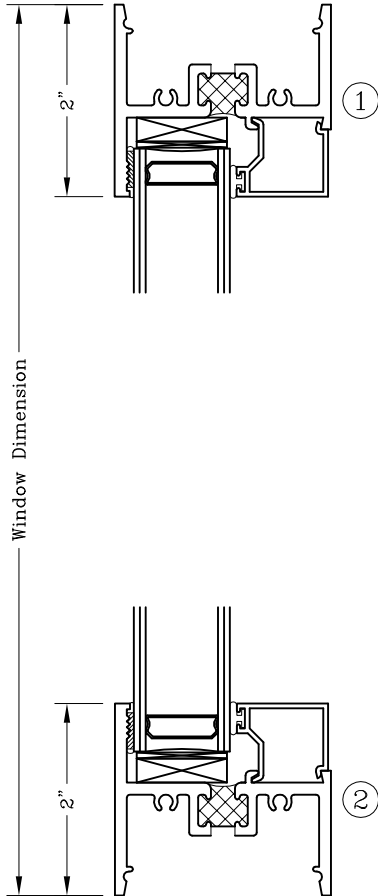
Architectural Products

Series: 6500

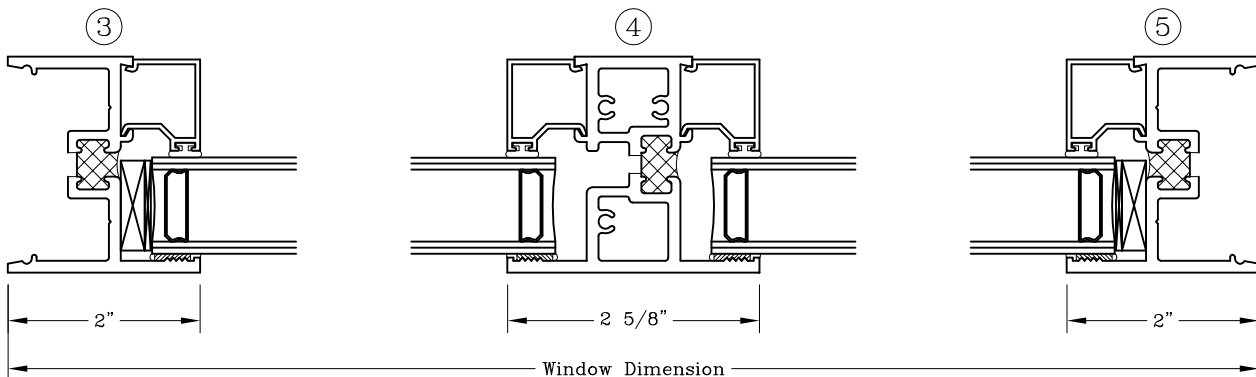
Manufacturing Code: 6511

Drawing 1/2 Scale - For Custom Size Drawing Contact Graham

Note: Sealant Not Shown On Details. Consult Technical Services At Factory For Sealing Procedures.



ELEVATION



Note: Dashed Lines Represent Inswing Vented Units Solid Lines Represent  
Outswing Vented Units; Lines Converge At Hinge Side Of Vent