

Graham



Architectural Products

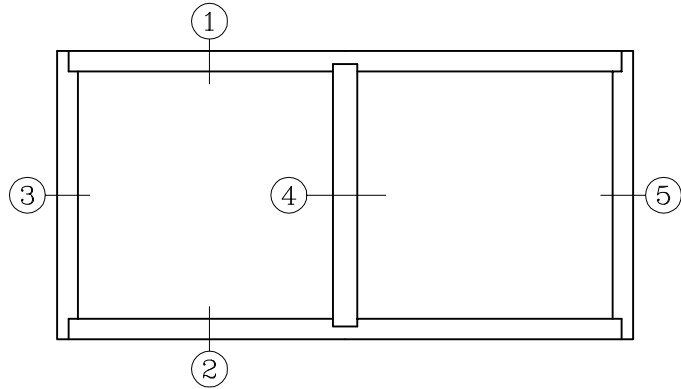
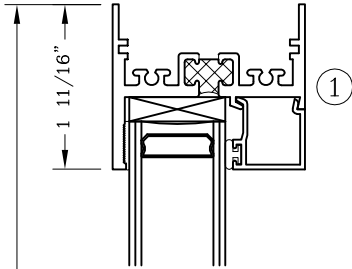
Fixed - 2" F-AW90

Series: 6100

Manufacturing Code: 6111

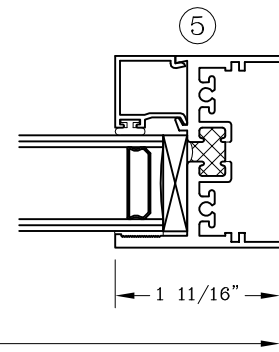
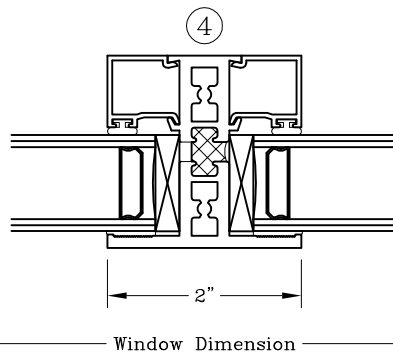
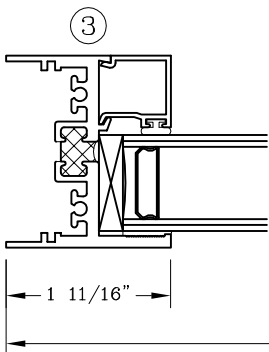
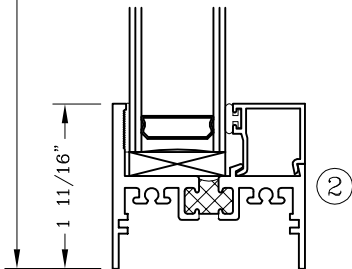
Drawing 1/2 Scale - For Custom Size Drawing Contact Graham

Note: Sealant Not Shown On Details. Consult Technical Services At Factory For Sealing Procedures.



ELEVATION

Window Dimension



Window Dimension

Note: Dashed Lines Represent Inswing Vented Units Solid Lines Represent Outswing Vented Units; Lines Converge At Hinge Side Of Vent