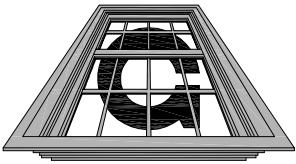


Graham



Architectural Products

Projected/Fixed - 2"

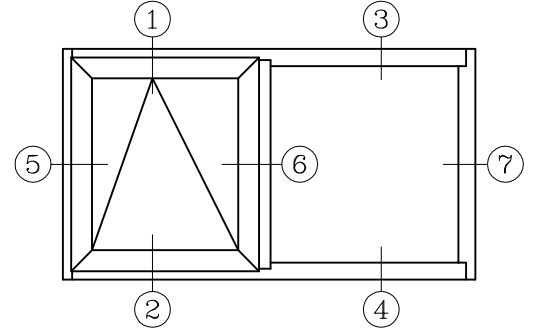
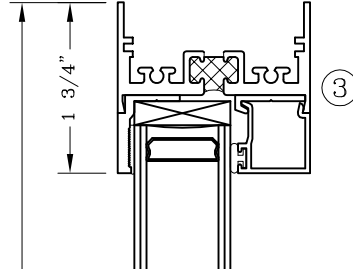
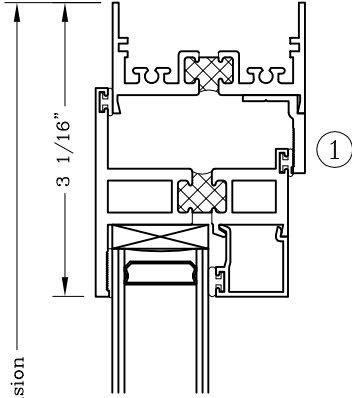
AP-HC80

Series: 6100

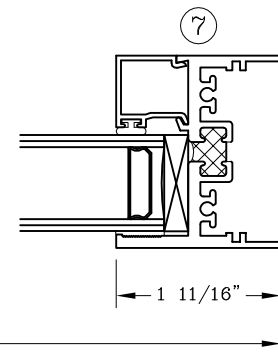
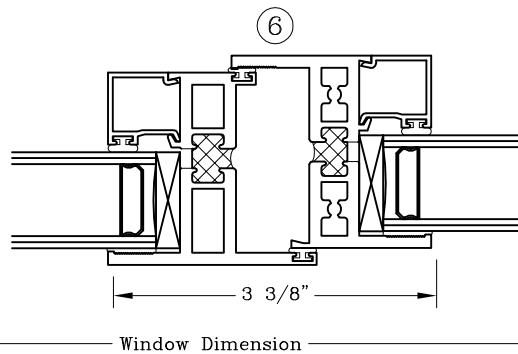
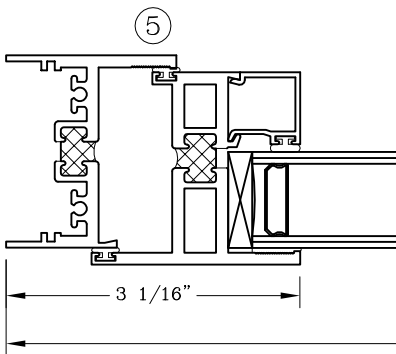
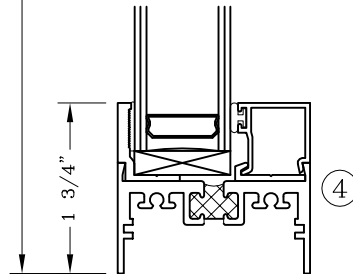
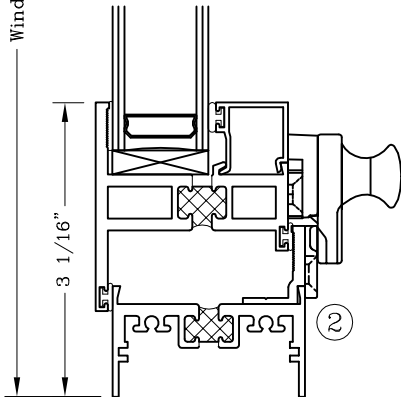
Manufacturing Code: 6108

Drawing 1/2 Scale - For Custom Size Drawing Contact Graham

Note: Sealant Not Shown On Details. Consult Technical Services At Factory For Sealing Procedures.



ELEVATION



Note: Dashed Lines Represent Inswing Vented Units Solid Lines Represent Outswing Vented Units; Lines Converge At Hinge Side Of Vent