

Graham



Architectural Products

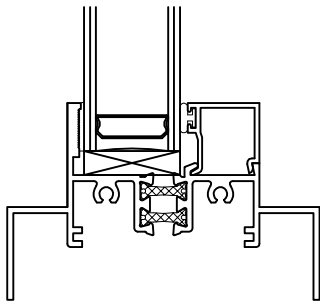
Glazing Options - 3 1/4"

Series: 6000

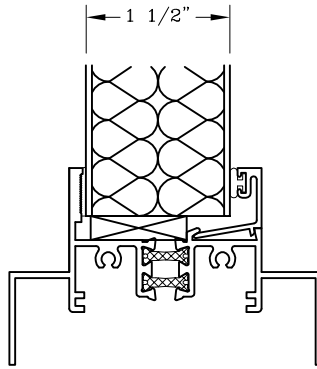
Manufacturing Code: 6020

Drawing 1/2 Scale - For Custom Size Drawing Contact Graham

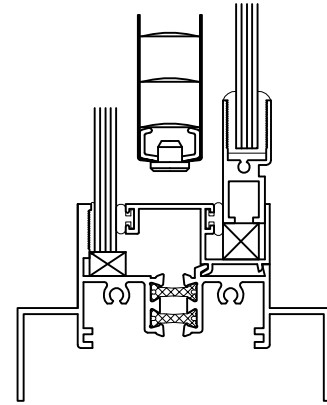
Note: Sealant Not Shown On Details. Consult Technical Services At Factory For Sealing Procedures.



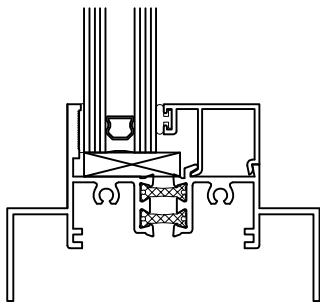
1" IG
Glazing Bead



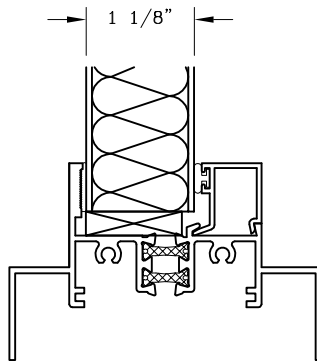
1 1/2" Panel
Glazing Bead



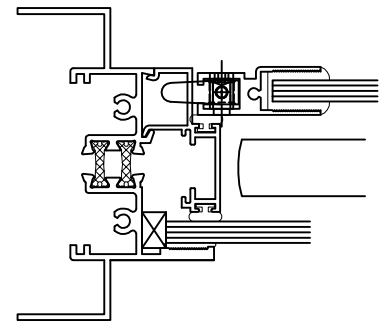
Lift-In Guardian
Horizontal Glazing Bead



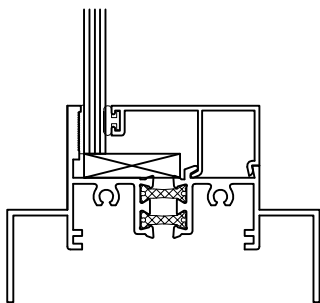
3/4" IG
Glazing Bead



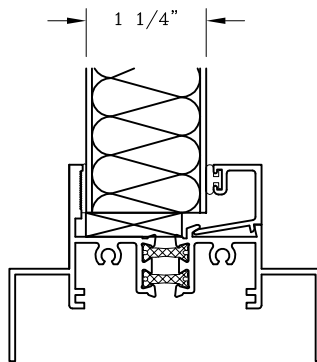
1 1/8" Panel
Glazing Bead



Lift-In Guardian
Vertical Glazing Bead



1/4" and 3/16" Glazing
Glazing Bead



1 1/4" Panel
Glazing Bead