

Graham

Double Hung Tilt - 4" (Astr.) H-AW55



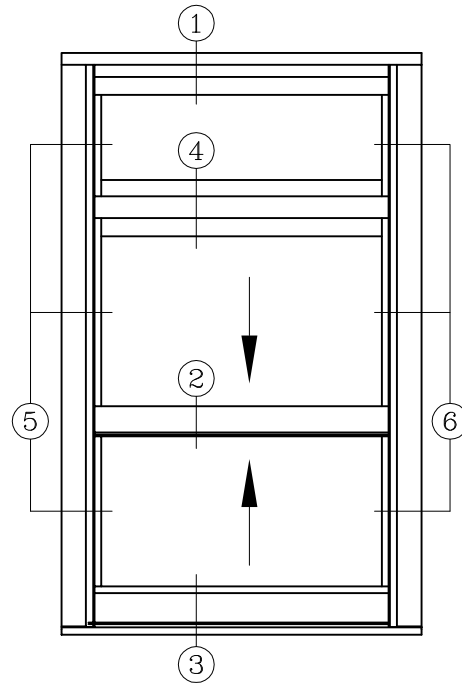
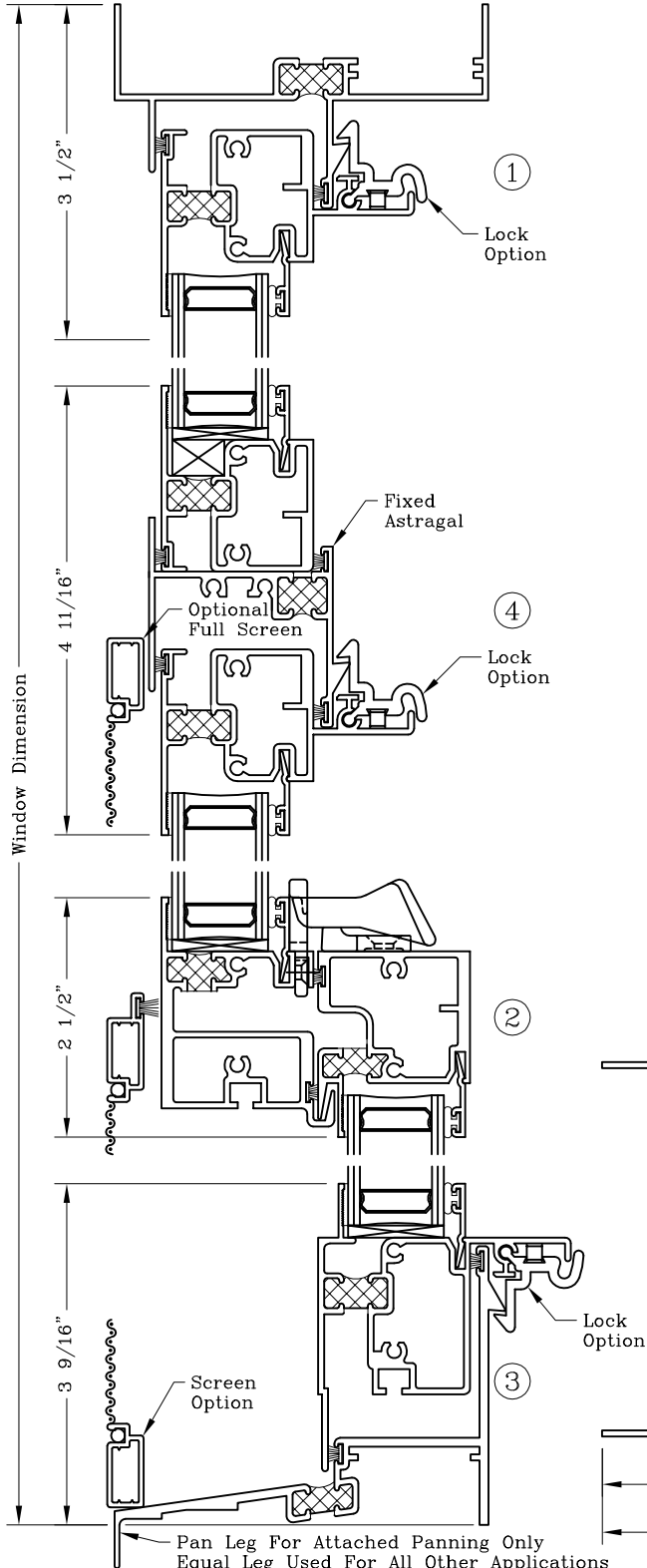
Architectural Products

Series: 3100

Manufacturing Code: 3103

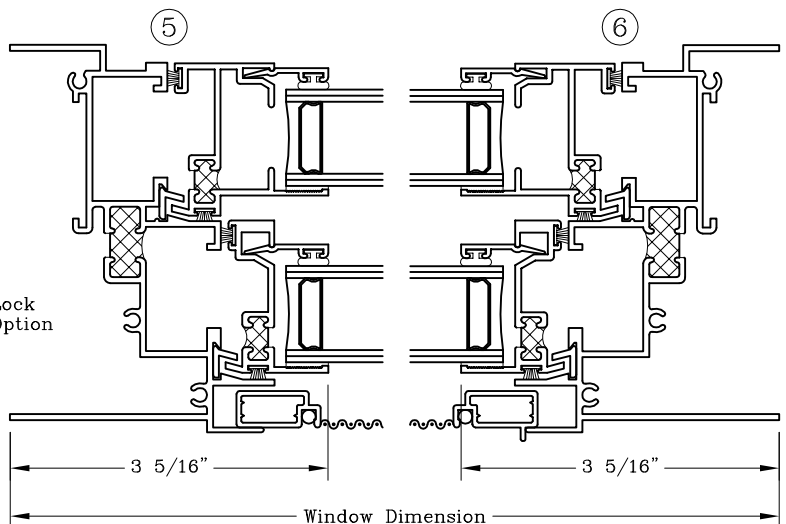
Drawing 1/2 Scale - For Custom Size Drawing Contact Graham

Note: Sealant Not Shown On Details. Consult Technical Services At Factory For Sealing Procedures.



ELEVATION

Patent No. US 6,226,923 B1



Pan Leg For Attached Panning Only
Equal Leg Used For All Other Applications

1551 Mt. Rose Avenue, York, Pennsylvania 17403-2909 • 800/755-6274 • Fax: 800/366-5097

Web Site: www.grahamwindows.com

0408 - 31.03