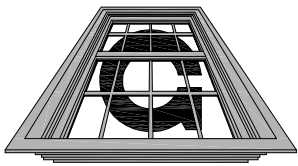


Graham

# Fixed - 3 1/4" H-AW55



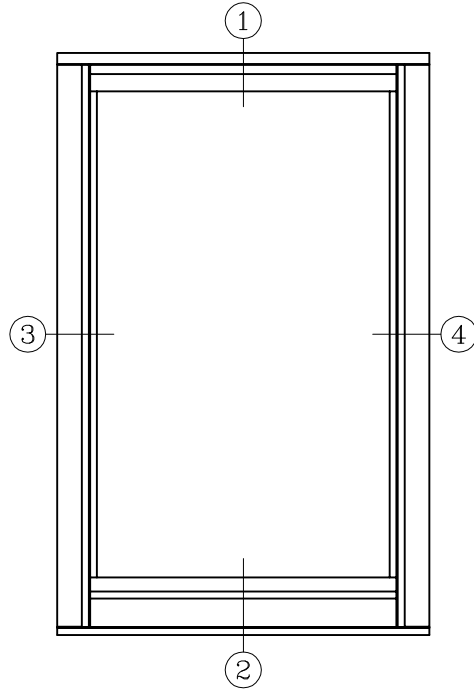
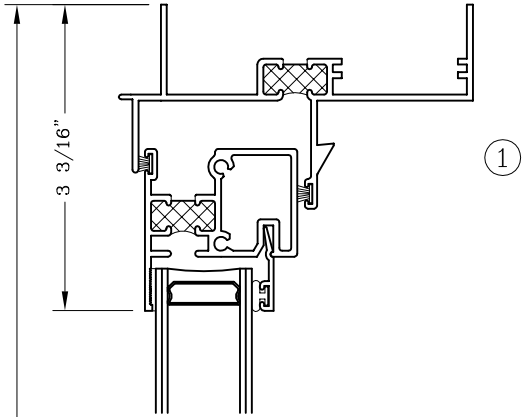
Architectural Products

Series: 3000

Manufacturing Code: 3002

Drawing 1/2 Scale - For Custom Size Drawing Contact Graham

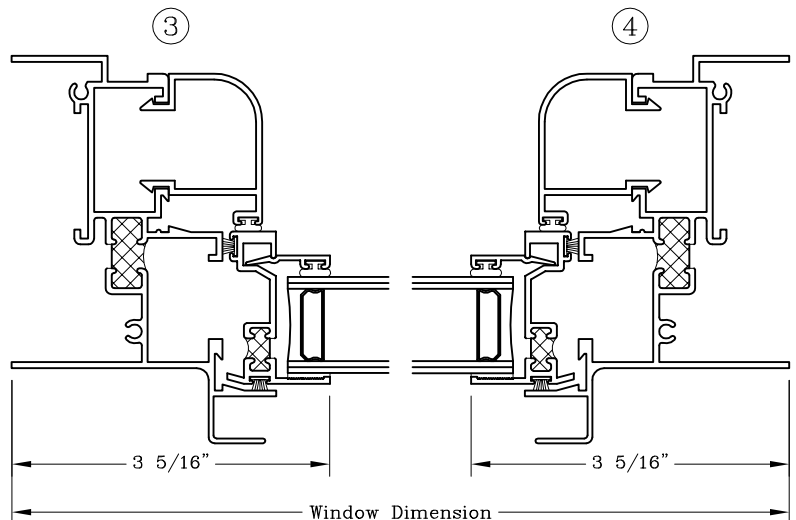
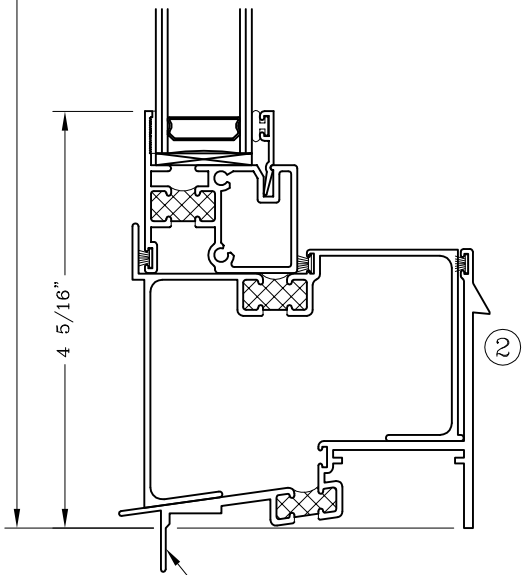
Note: Sealant Not Shown On Details. Consult Technical Services At Factory For Sealing Procedures.



ELEVATION

Patent No. US 6,226,923 B1

Window Dimension



Pan Leg For Attached Panning Only  
Equal Leg Used For All Other Applications