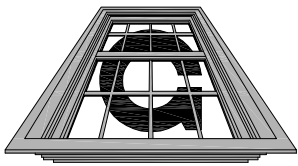


Graham

Double Hung Tilt - 3 1/4" H-AW55



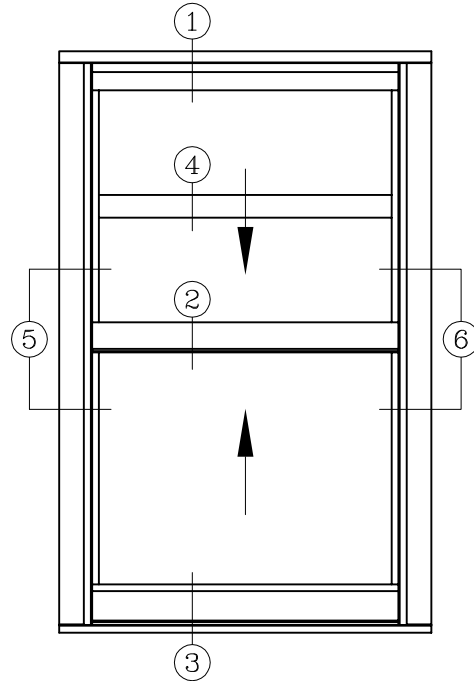
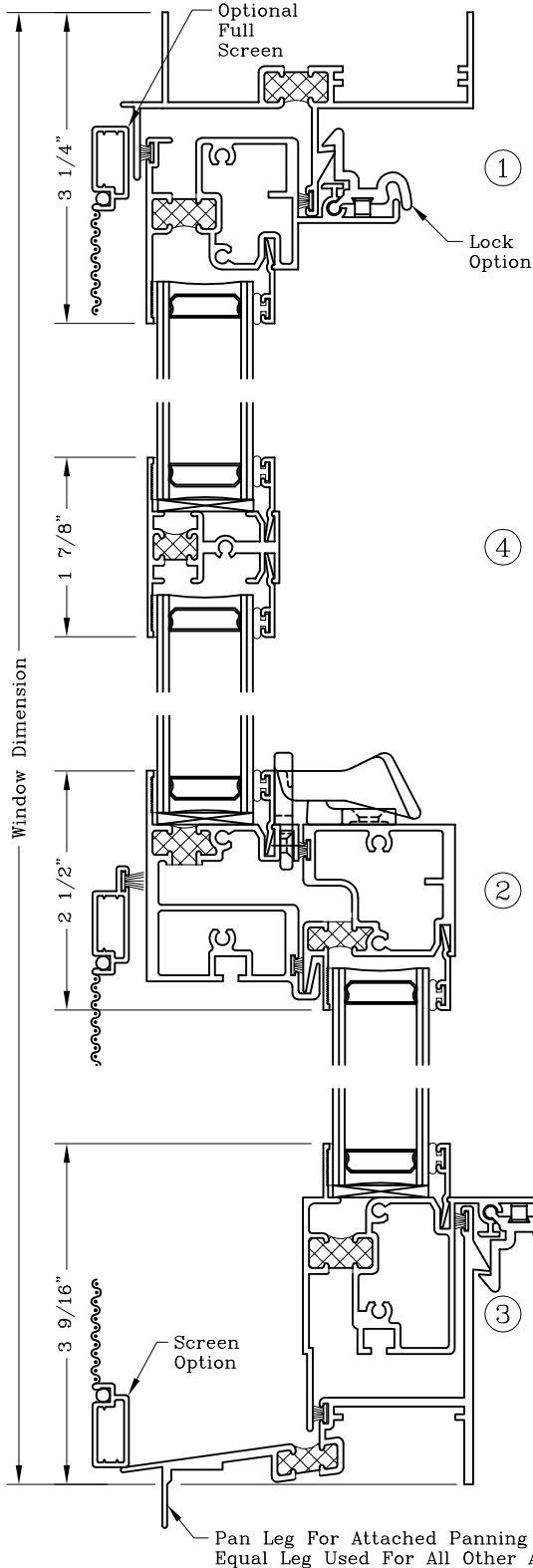
Architectural Products

Series: 3000

Manufacturing Code: 3001

Drawing 1/2 Scale - For Custom Size Drawing Contact Graham

Note: Sealant Not Shown On Details. Consult Technical Services At Factory For Sealing Procedures.



ELEVATION

Patent No. US 6,226,923 B1

