



Architectural Products

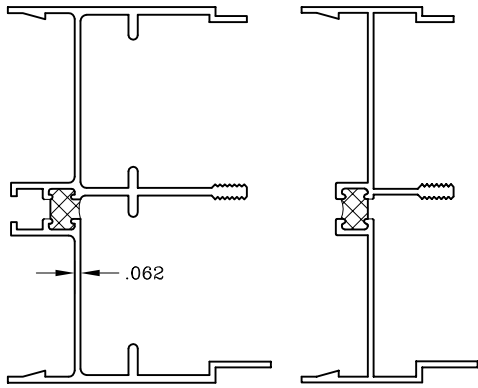
Series: 2200

Manufacturing Code: 2223

Drawing 1/2 Scale - For Custom Size Drawing Contact Graham

Note: Sealant Not Shown On Details. Consult Technical Services At Factory For Sealing Procedures.

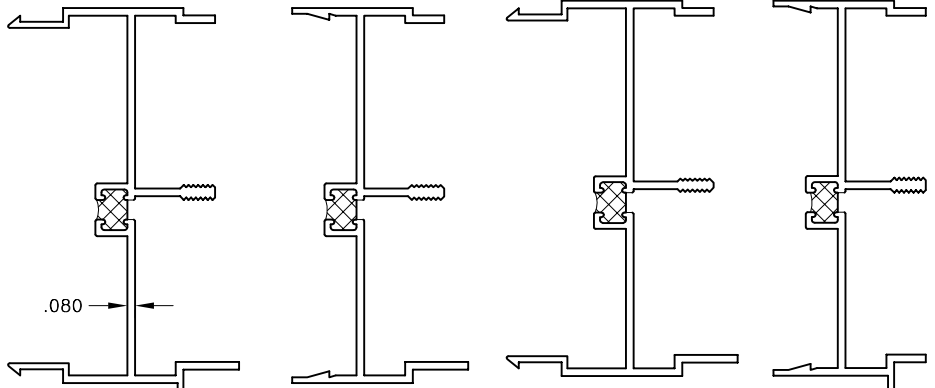
.062 Wall Frames



Class "5" Balances Jamb w/o Screen Track

Block and Tackle Jamb w/o Screen Track

.080 Wall Frames

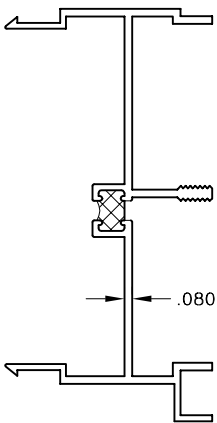


Self-Mull Jamb w/ Screen Track

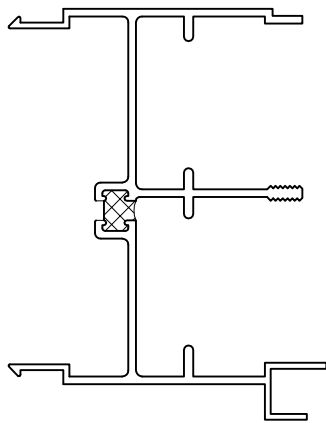
Block and Tackle Jamb w/o Screen Track

Self-Mull Jamb w/o Screen Track

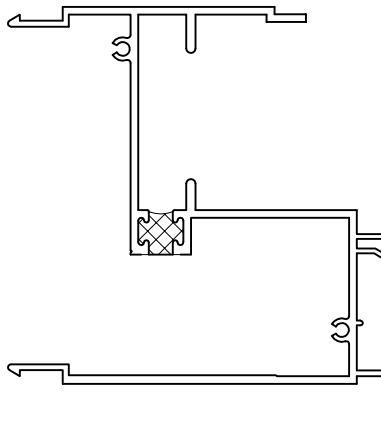
Jamb w/ Screen Track (Corrections)



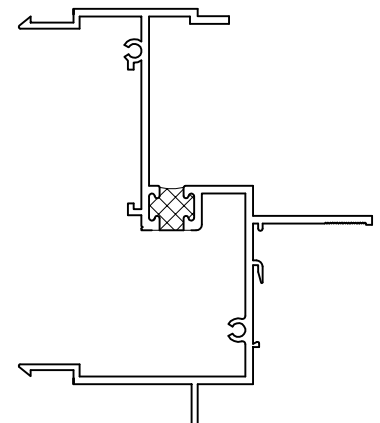
Self-Mull Jamb w/ Screen Track (Corrections)



Class "5" Balances Self-Mull Jamb w/ Screen Track

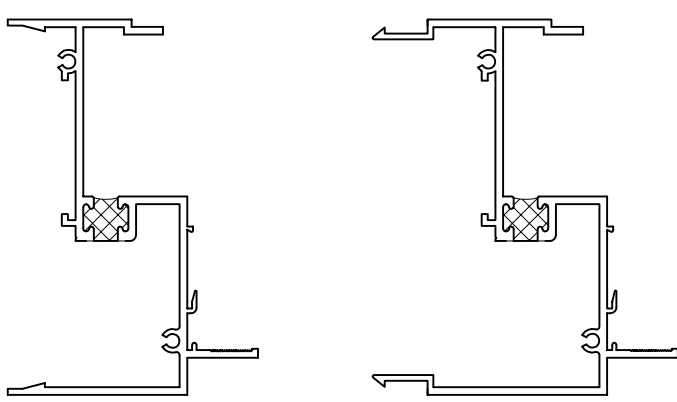


Historic Class "5" Balances Single Hung Self-Mull Jamb w/o Screen Track



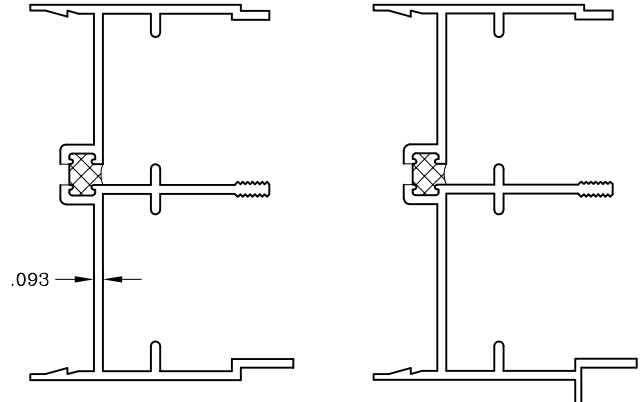
Single Hung Self-Mull Jamb w/ Screen Track (Blast)

.093 Wall Frames



Single Hung Jamb

Single Hung Self-Mull Jamb



Class "5" Balances Jamb w/o Screen Track

Class "5" Balances Jamb w/ Screen Track