

Graham

Frame Options - 4"



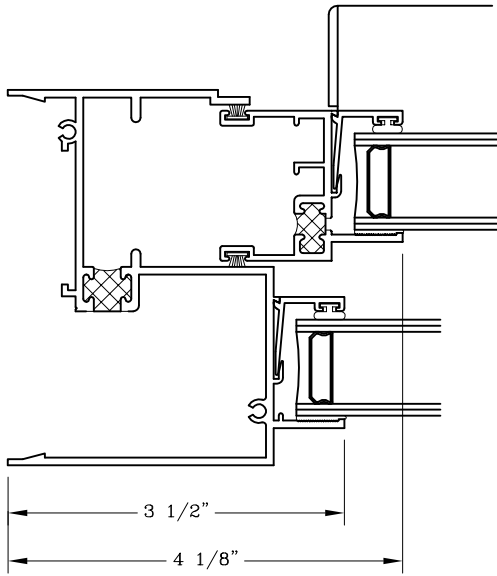
Architectural Products

Series: 2200

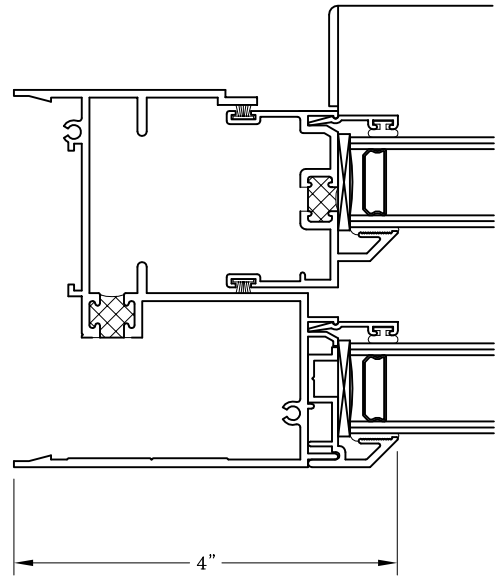
Manufacturing Code: 2222

Drawing 1/2 Scale - For Custom Size Drawing Contact Graham

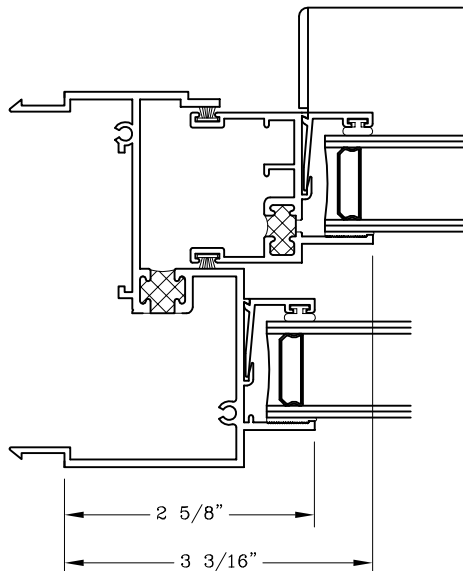
Note: Sealant Not Shown On Details. Consult Technical Services At Factory For Sealing Procedures.



Single Hung Jamb Style For Class "5" Balances
Shown With 1" IG



Historic Single Hung Jamb Style For Class "5" Balances
Shown With Historic Style Bead-Glazed Sash



Single Hung Self-Mull Jamb Style
For Block & Tackle Balance
Shown With Bead-Glazed Insulated Glass