

Frame Options - 3 1/4"



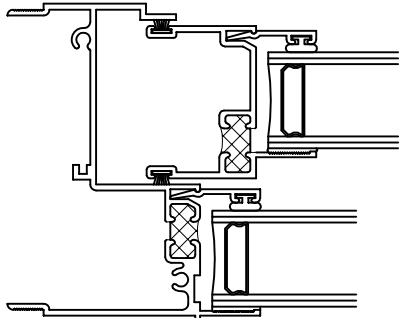
Series: 2000

Manufacturing Code: 2015

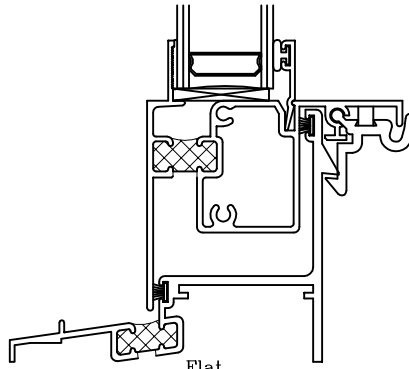
Drawing 1/2 Scale - For Custom Size Drawing Contact Graham

Note: Sealant Not Shown On Details. Consult Technical Services At Factory For Sealing Procedures.

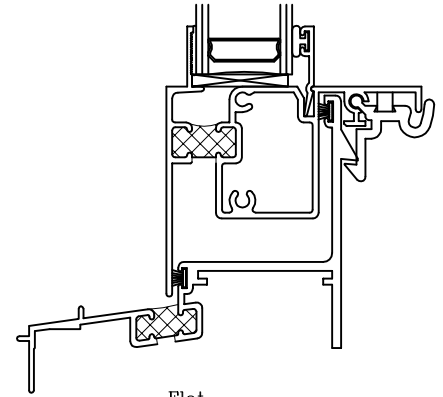
Flat Frame Options



Flat
Self-Mull Jamb
#203031

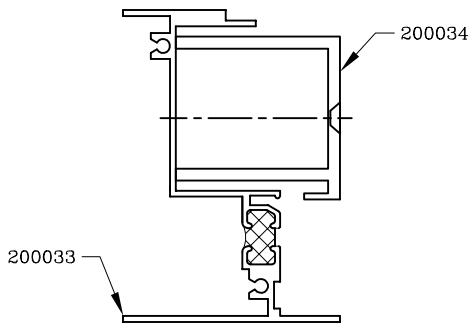


Flat
Equal Leg Sill
#200026

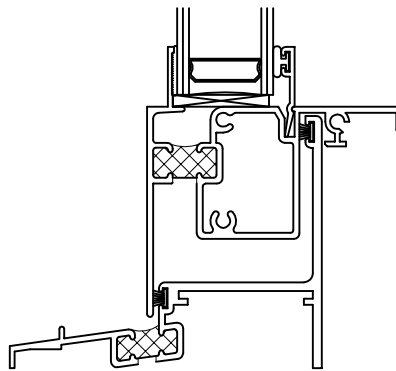


Flat
Pan Leg Sill
#200025

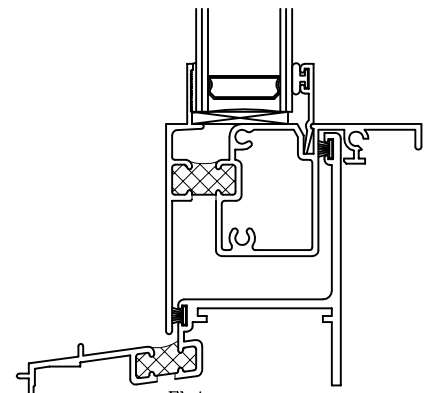
Various Frame Options



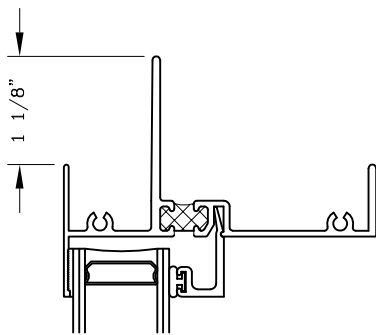
Channel and Jamb Frame
For Curving



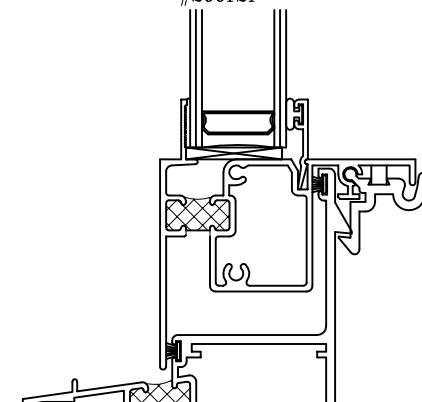
Flat
Equal Leg Sill w/o Barb
#200121



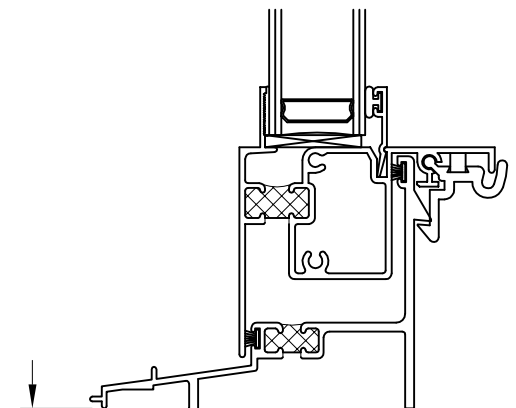
Flat
Pan Leg Sill w/o Barb
#200120



Flat
Nail Fin Single Hung Frame Head
#203013



Flat
2" Flange Frame Sill
#200028



Flat
Nail Fin Single Hung Frame Sill
#203023