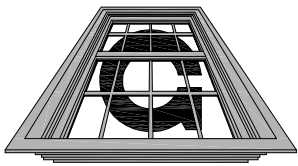


Graham

# Fixed - Panel Options - 4"

## F-HC125



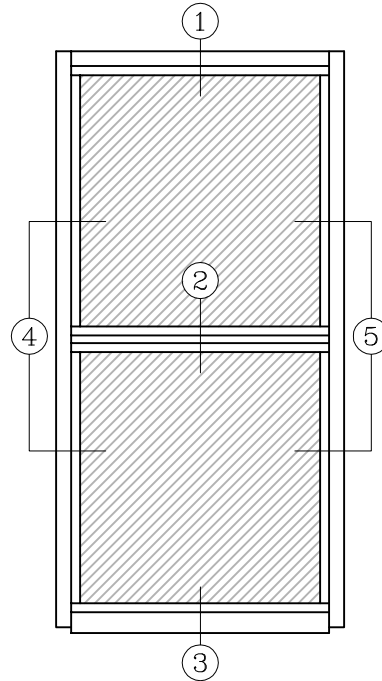
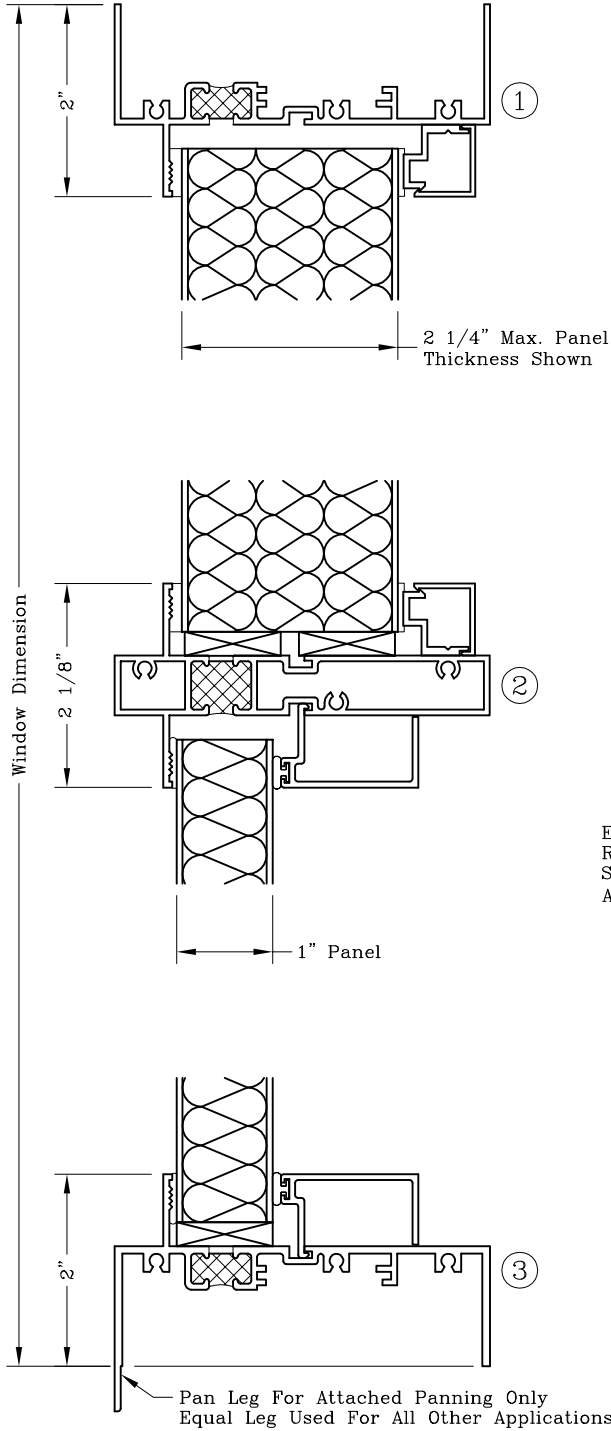
Architectural Products

Series: 1400

Manufacturing Code: 1408

Drawing 1/2 Scale - For Custom Size Drawing Contact Graham

Note: Sealant Not Shown On Details. Consult Technical Services At Factory For Sealing Procedures.



ELEVATION

Equal Leg Jamb Style Shown - 2" Flange Available  
Refer To Frame Options Sheet 14.10  
Self-Mull Jamb's Available - Reference Frame Options Sheet 14.09  
And 4" Accessories Sheet

