

Graham

Fixed - Dual Glazed - 4"

F-HC125



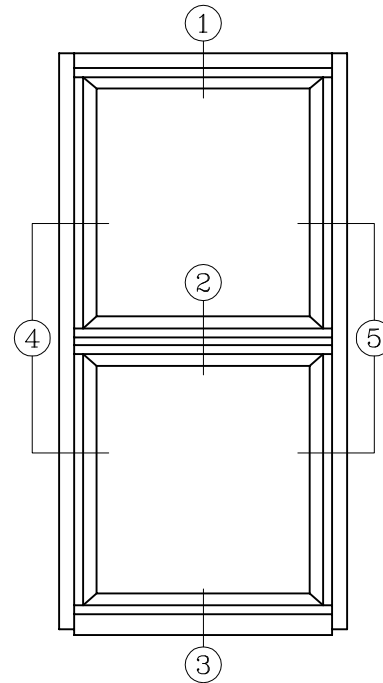
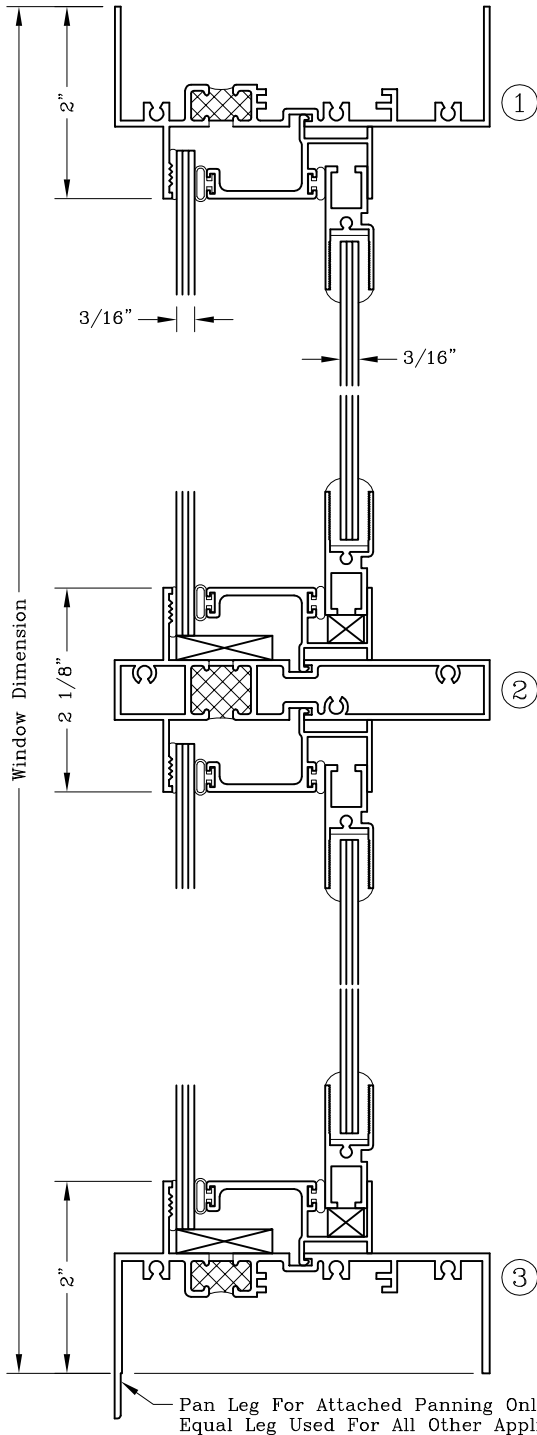
Architectural Products

Series: 1400

Manufacturing Code: 1407

Drawing 1/2 Scale - For Custom Size Drawing Contact Graham

Note: Sealant Not Shown On Details. Consult Technical Services At Factory For Sealing Procedures.



ELEVATION

Equal Leg Jamb Style Shown - 2" Flange Available
 Refer To Frame Options Sheet 14.10
 Self-Mull Jamb's Available - Reference Frame Options Sheet 14.09
 And 4" Accessories Sheet

