

Graham

Fixed - Single Glazed - 4" F-HC125



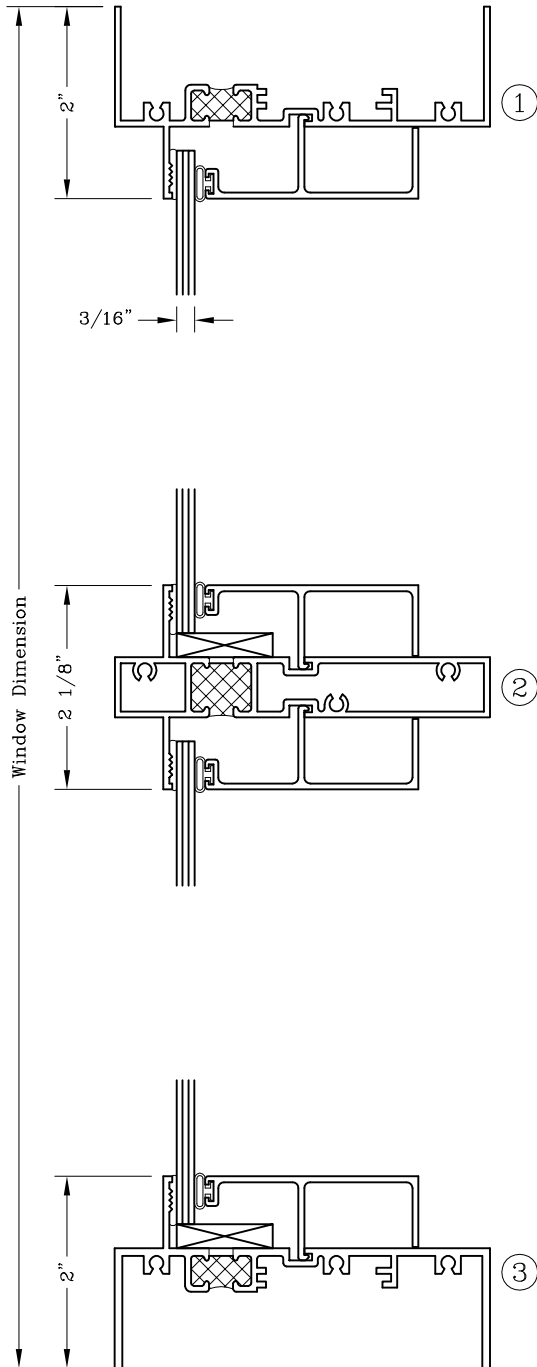
Architectural Products

Series: 1400

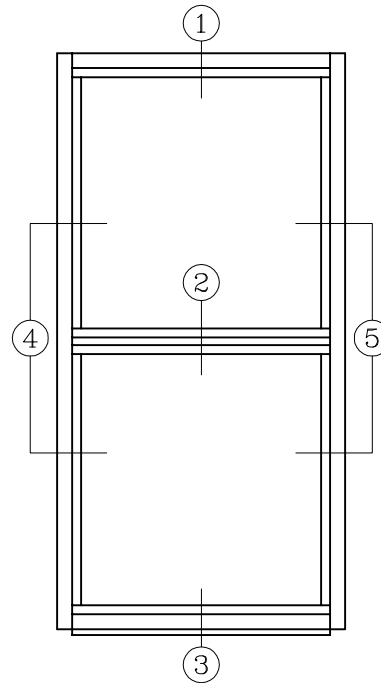
Manufacturing Code: 1406

Drawing 1/2 Scale - For Custom Size Drawing Contact Graham

Note: Sealant Not Shown On Details. Consult Technical Services At Factory For Sealing Procedures.



Pan Leg For Attached Panning Only
Equal Leg Used For All Other Applications



ELEVATION

Equal Leg Jamb Style Shown - 2" Flange Available
Refer To Frame Options Sheet 14.10
Self-Mull Jamb's Available - Reference Frame Options Sheet 14.09
And 4" Accessories Sheet

