

Graham

# Fixed - 4" F-HC65/130



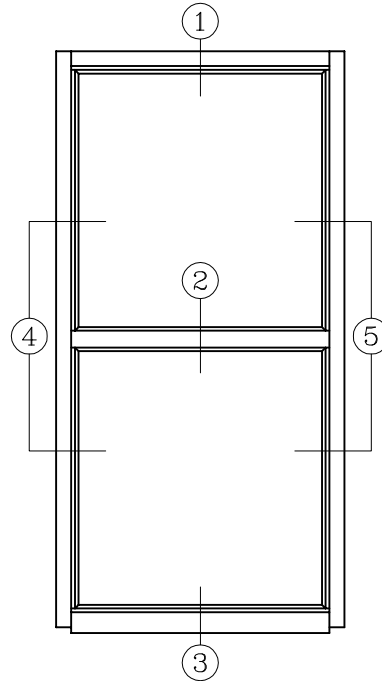
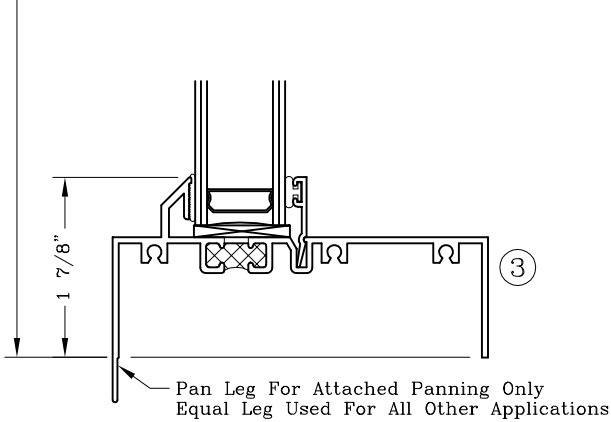
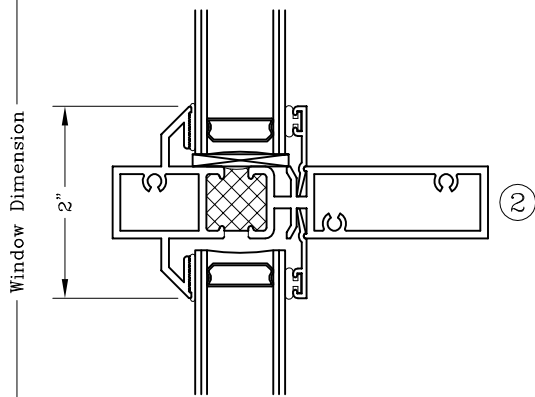
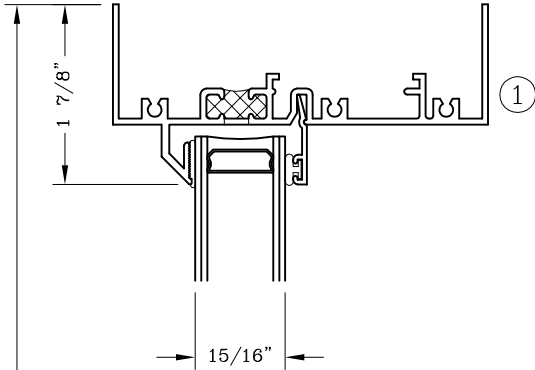
Architectural Products

Series: 1400

Manufacturing Code: 1401

Drawing 1/2 Scale - For Custom Size Drawing Contact Graham

Note: Sealant Not Shown On Details. Consult Technical Services At Factory For Sealing Procedures.



ELEVATION

.062 Walled Frame Shown  
 .080 & .094 Walled Frame Available - Refer To Frame Options Sheet 14.09  
 Self-Mull Jamb Available - Reference Frame Options Sheet 14.09  
 And 4" Accessories Sheet

