

Graham

Dual Fixed - 5" F-DW-HC40



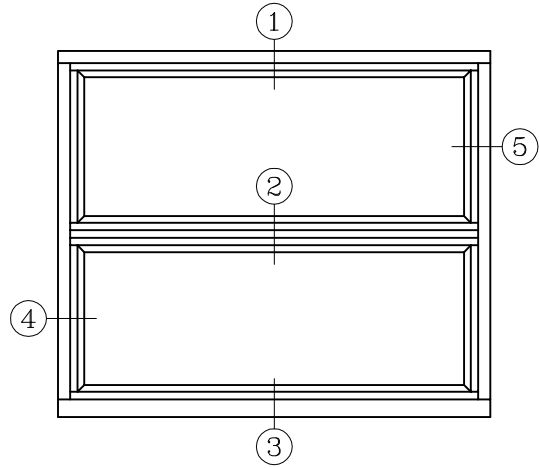
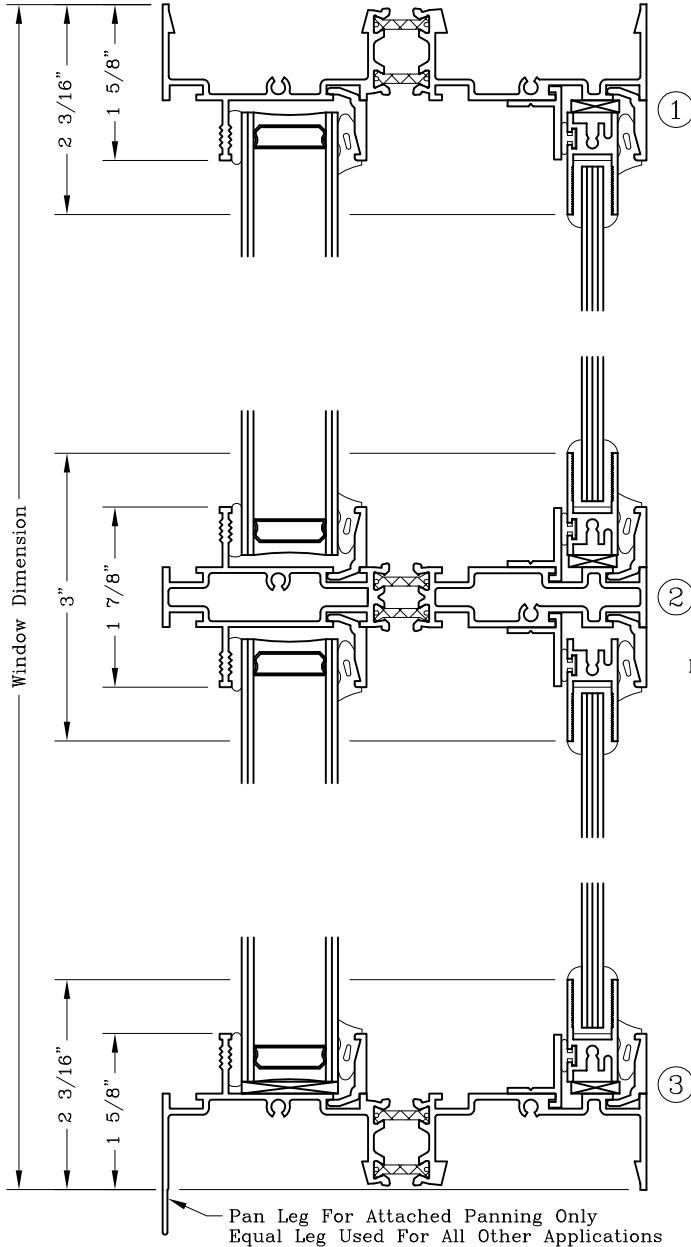
Architectural Products

Series: 1100

Manufacturing Code: 1101

Drawing 1/2 Scale - For Custom Size Drawing Contact Graham

Note: Sealant Not Shown On Details. Consult Technical Services At Factory For Sealing Procedures.



ELEVATION

Frame Options Available - Reference Frame Options Sheet 11.05

