

Graham

Sliding Glass Door - 4"

SGD-C35



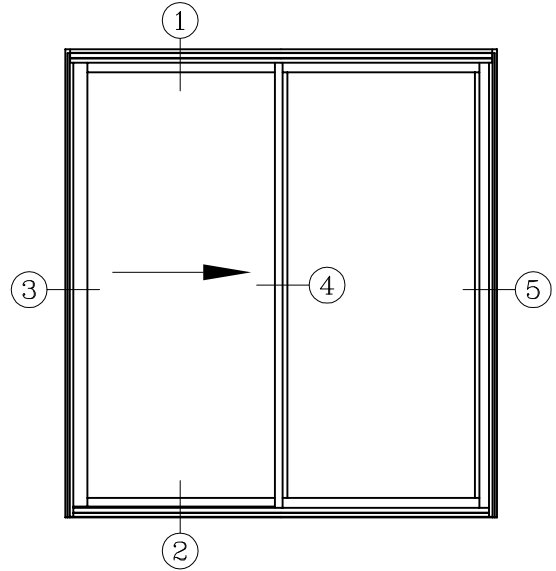
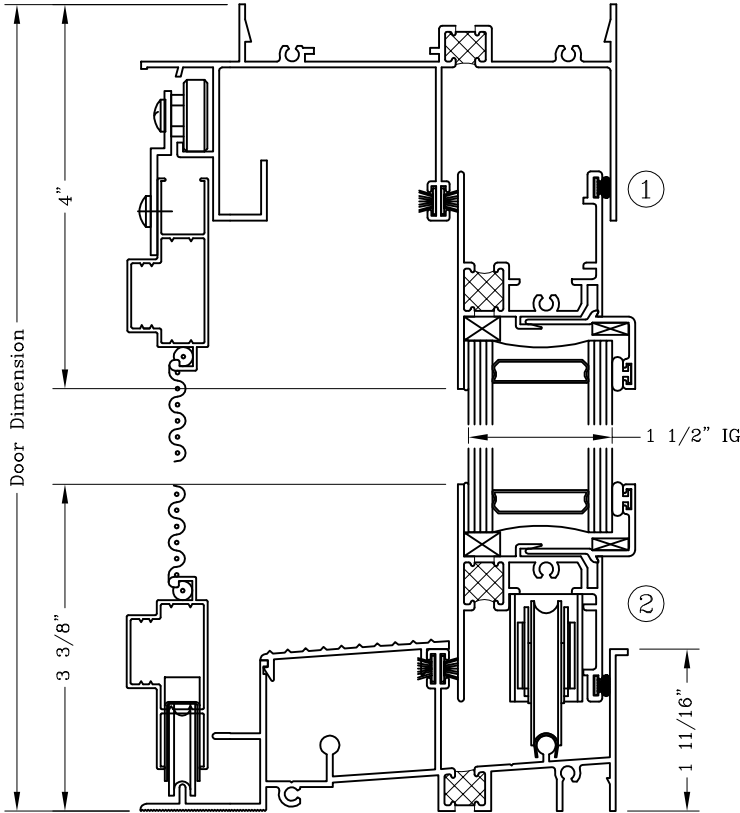
Architectural Products

Series: 0800

Manufacturing Code: 0802

Drawing 1/2 Scale - For Custom Size Drawing Contact Graham

Note: Sealant Not Shown On Details. Consult Technical Services At Factory For Sealing Procedures.



ELEVATION

XO - Shown
OX - Opposite

