

# Frame Options - 4 1/2"

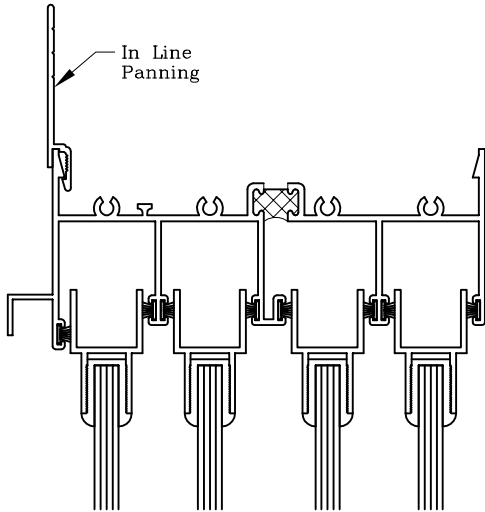


Series: 0400

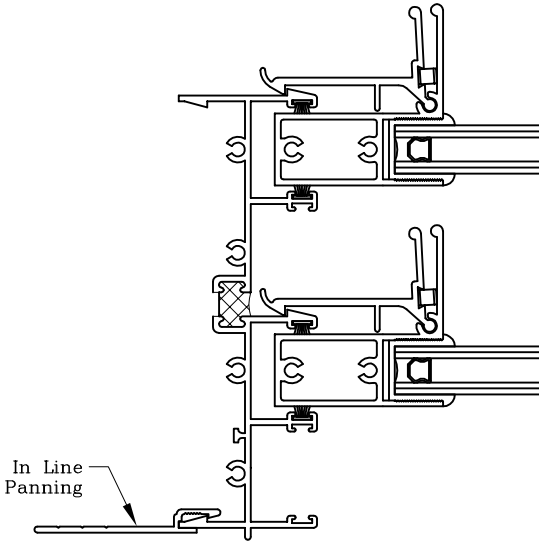
Manufacturing Code: 0420

Drawing 1/2 Scale - For Custom Size Drawing Contact Graham

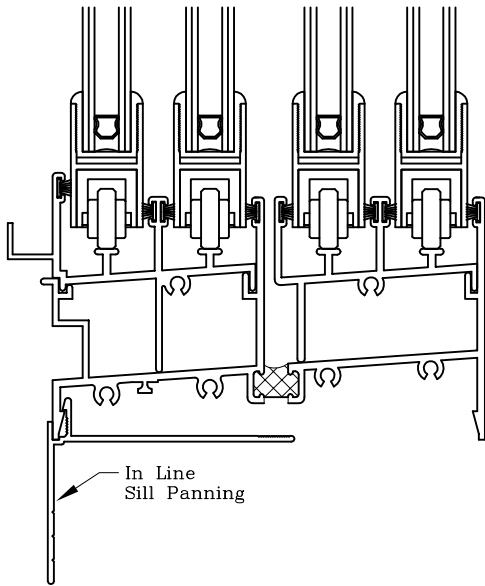
Note: Sealant Not Shown On Details. Consult Technical Services At Factory For Sealing Procedures.



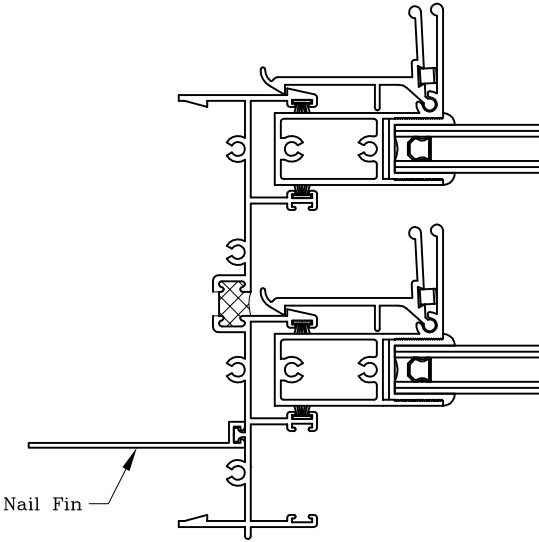
Head  
In Line Panning  
Option  
#240102



Jamb  
In Line Panning  
Option  
#240102



Sill  
In Line Sill Panning  
Option  
#240104



Jamb  
Nail Fin Option  
#240115