

Graham

# Horizontal Slider - 3 1/4"

HS-HC45

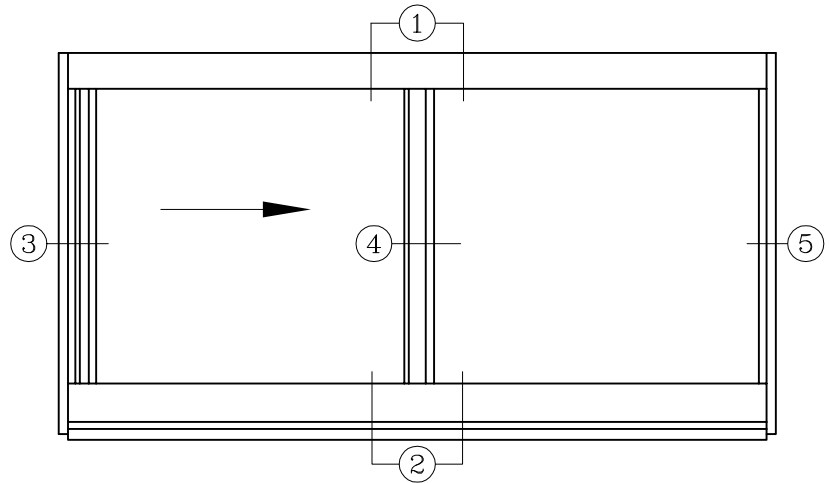
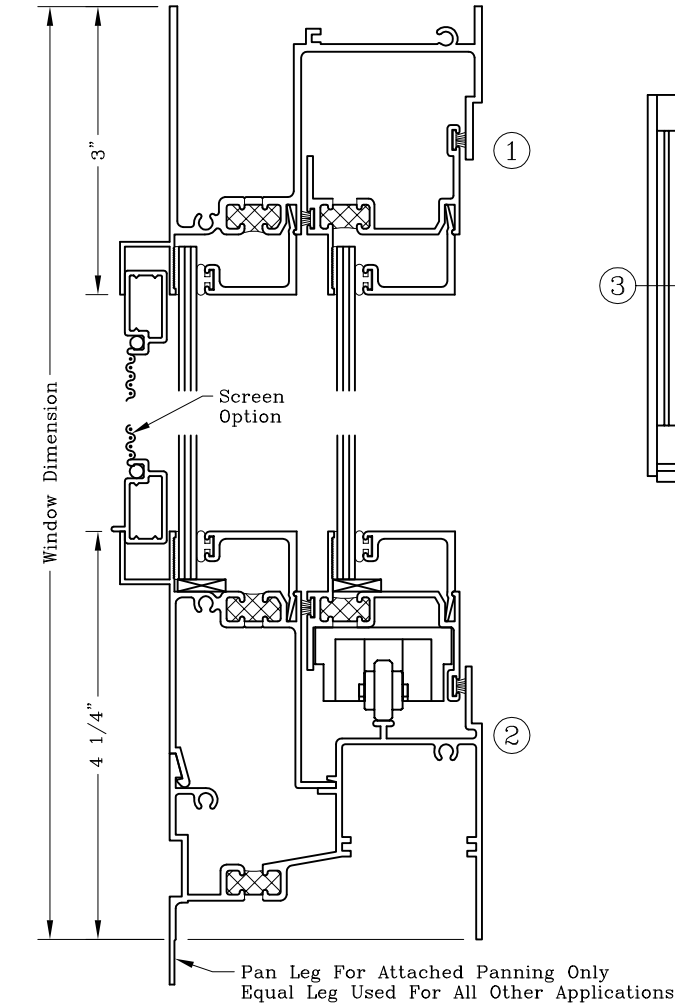
Series: 0300

Manufacturing Code: 0308

Architectural Products

Drawing 1/2 Scale - For Custom Size Drawing Contact Graham

Note: Sealant Not Shown On Details. Consult Technical Services At Factory For Sealing Procedures.



ELEVATION

XO - Shown  
OX - Opposite

Equal Leg Jamb Style - Shown  
2" Flange Style Available - Reference Frame Options Sheet 03.16  
Self-Mull Jamb Available - Reference 3 1/4" Accessories Sheet

