

Graham



Architectural Products

Horizontal Slider - 3 1/4"

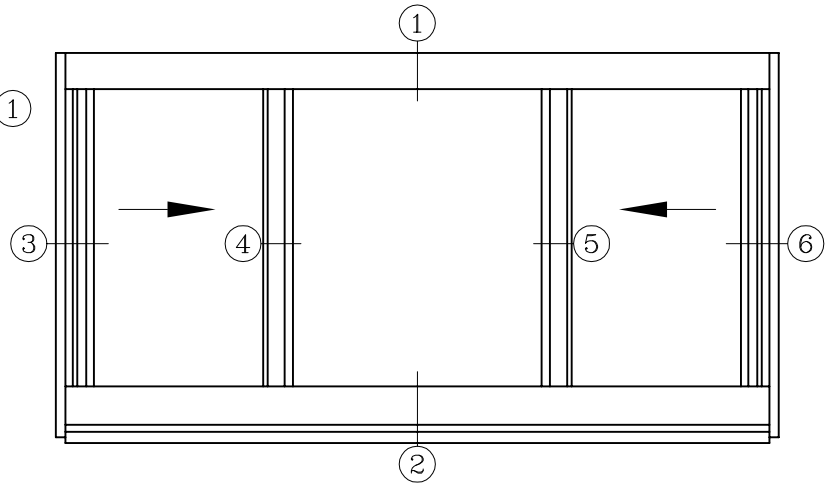
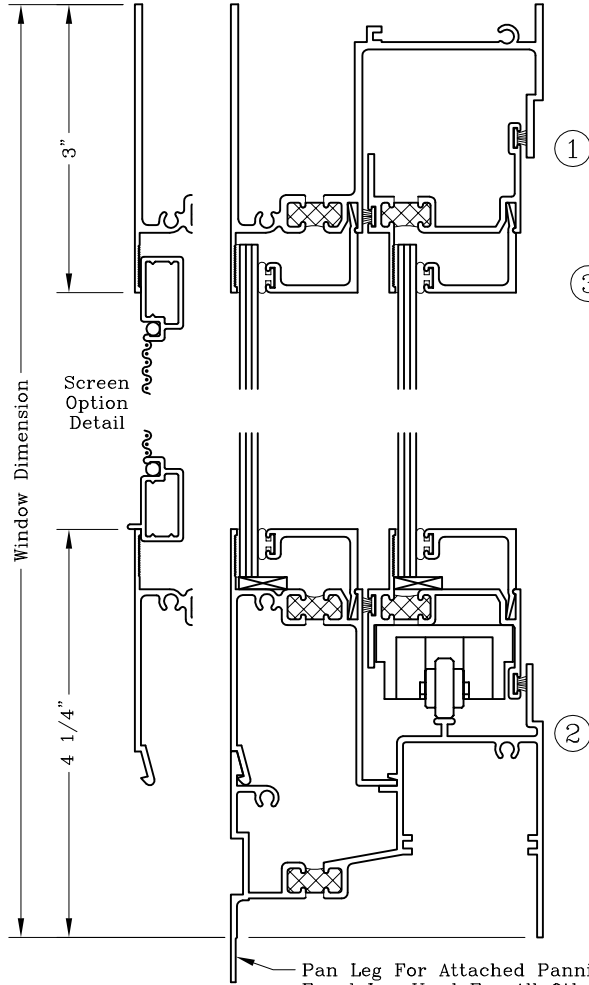
HS-HC45

Series: 0300

Manufacturing Code: 0306

Drawing 1/2 Scale - For Custom Size Drawing Contact Graham

Note: Sealant Not Shown On Details. Consult Technical Services At Factory For Sealing Procedures.



ELEVATION
XOX - Shown

Equal Leg Jamb Style - Shown
2" Flange Style Available - Reference Frame Options Sheet 03.16
Self-Mull Jamb's Available - Reference 3 1/4" Accessories Sheet

